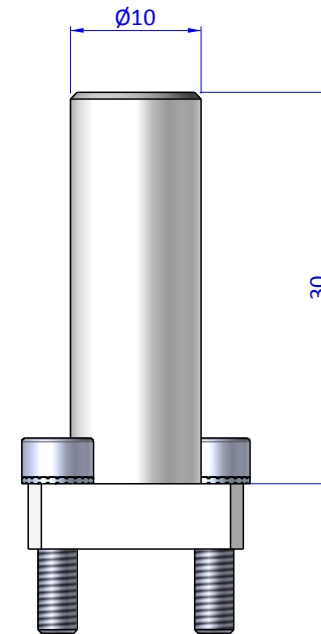
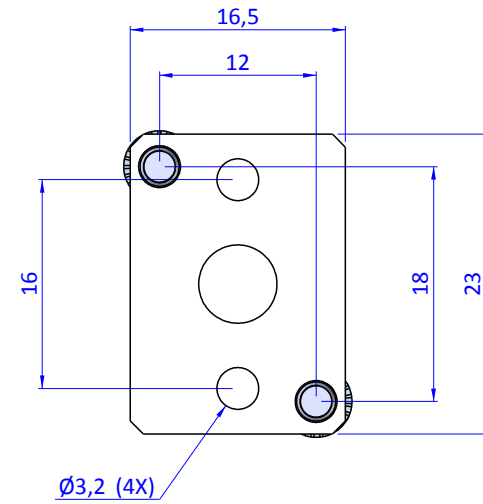
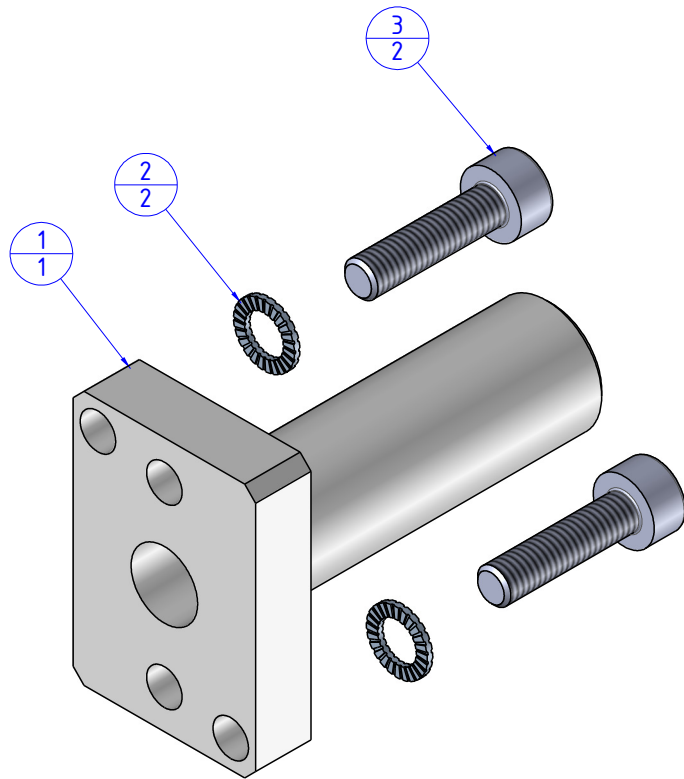


THE PROPERTY OF THE DRAWING IS ESTABLISHED BY LAW. IT IS FORBIDDEN TO PRODUCE OR SHOW IT TO THIRD PARTY, WITHOUT A WRITTEN AGREEMENT.

Item	Name	Q.ty
1	APGE.10.10.30	1
2	R.3.SCH	2
3	V.TCE3x12	2



Format A3

UNI 936-76

		DESIGNED FROM		REVIEW
		FPS Automation		A
GENERAL TOLERANCE UNI - ISO 2768 CLASSE f		DATE	WEIGHT	
		04/04/2019	0,008kg	
DESCRIPTION			CODE	
CA.APGE.10.10.30			CA.APGE.10.10.30	